

● Float Ball Valve

Standard & specifications:

Design and Manufacture: API 608, API 6D, BS5351
 Test and inspection: API 598, API 6D
 Face to face (end to end): ANSI B16.10, API 6D
 Flanged connection: 2~24~to ANSI B16.5
 Fire-safe: API 607, API 6FA
 Butt welded end: ANSI B16.25

Technical parameters:

Size ranges: 1/2"—10" (DN15-DN250)
 Pressure rate: 150LB, 300LB, 600LB
 Working temperature: -46°C—200°C
 Operation mode: Manual, Gear box(6"&Larger)



Product Characteristics:

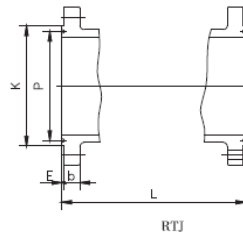
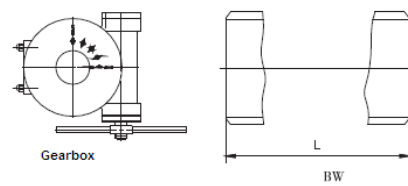
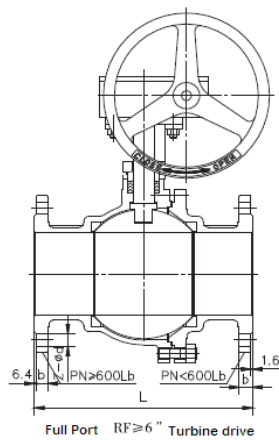
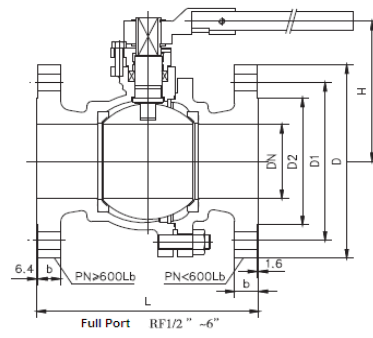
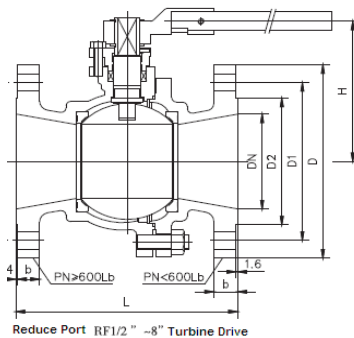
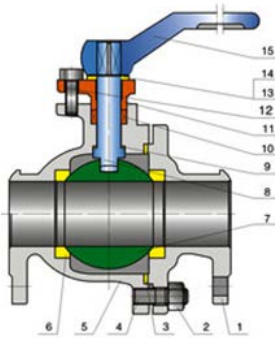
1. Its opening and closing part is a ball, the ball rotate around the axis of the stem 90 degree to achieve the purpose of opening and closing the fluids in the pipeline.
2. Simple structure, good sealing performance and small torque
3. Upper stem guide prevents side thrust; PTFE or graphite packing cup and cone packing rings (SEAL-3); O-Ring seal (SEAL-2); Lower stem guide prevents side thrust; PTFE thrust washer stem seal (SEAL-1)
4. Bolted bonnet, Two-piece Body, Floating Ball
5. Full or reduced bore, Blowout Proof Stem
6. Fire safe and Anti static (EN ISO 17292)
7. Low leakage packing materials
8. Locking device equipped
9. Flange mounted on the top

Material List of Valve Parts:

NO	部件名称 PART NAME (API 6D)	材料 MATERIALS			备注 REMARKS
		WCB/316	LCB,LCC/316	CF8M	
1	阀体BODY	A216-WCB	A352-LCB,LCC	A351-CF8M	
2	阀帽BODY CAP	A216-WCB	A352-LCB,LCC	A351-CF8M	
3	球 BALL	316SS			
4	阀座SEAT	RPTFE, DEVLON			
6	阀杆 STEM	316SS			
9	止位销 STOPPER	A283-D+Zn PLATE		304SS	
11	压盖 GLAND	316SS			
12	阀杆轴承 STEM BEARING	RPTFE, NYLON 尼龙			
13	阀杆密封 STEM SEAL	PTFE, GRAPHITE, VITON			
14	阀体密封 BODY SEAL	316SS+GRAPHITE 石墨			缠绕垫片 SPIRAL WOUND G/K
15	阀体螺栓 BODY BOLT	A193-B7M	A320-L7M	A193-B8	
16	阀体螺母 BODY NUT	A194-2HM	A194-7M	A194-8	
20	防静电设施 ANTI-STATIC DEVICE	316SS			
21	压盖螺栓 GLAND BOLT	AISI-41 40		A193-B8	
36	齿轮箱/手柄 GEAR BOX/ LEVER	A536			

Note: The parts' materials can also be stainless steel and others according to your requirements.

Float Ball Valve Structure Chart



Outline & dimensions:

150 LB class:

Pressure class	Sizes (mm)		Dimensions (mm)							
	inch	DN	L	D	D1	D2	b	Z-Φd	H	W
Q41F/H/Y-150Lb Q341 F/H/Y-150Lb Q641 F/H/Y-150Lb	1/2"	15	108	89	60.5	35	12	4-Φ15	68	115
	3/4"	20	117	98	70	43	12	4-Φ15	75	130
	1"	25	127	108	79.5	51	12	4-Φ15	85	150
	1 1/4"	32	140	117	89	64	13	4-Φ15	96	190
	1 1/2"	40	165	127	98.5	73.2	15	4-Φ15	107	230
	2"	50	178	152	120.7	92	16	4-Φ19	118	240
	2 1/2"	65	190	177.8	139.7	104.7	18	4-Φ19	145	280
	3"	80	203	190.5	152.4	127	19	4-Φ19	160	310
	4"	100	229	229	190.5	157	24	8-Φ19	185	330
	5"	125	356	254	216	185.7	26	8-Φ22	230	600
	6"	150	394	279	241.3	216	26	8-Φ22	260	800
8"	200	457	343	298.5	270	29	8-Φ22	310	1000	
10"	250	533	406	362	324	31	12-Φ25	350	1200	

300 LB:

Pressure class	Sizes (mm)		Dimensions (mm)							
	inch	DN	L	D	D1	D2	b	Z-Φd	H	W
Q41F/H/Y-300Lb Q341F/H/Y-300Lb Q641F/H/Y-300LbY	1/2"	15	140	95	66.5	35	15	4-Φ15	72	115
	3/4"	20	152	117	82.5	43	16	4-Φ19	75	130
	1"	25	165	124	89	51	18	4-Φ19	85	150
	1 1/4"	32	178	133	98.5	64	19.5	4-Φ19	95	180
	1 1/2"	40	190	156	114.3	73.2	21	4-Φ22	110	230
	2"	50	216	165	127	92	23	8-Φ19	120	240
	2 1/2"	65	241	190.5	149.4	104.7	26	8-Φ22	150	280
	3"	80	283	210	168.5	127	29	8-Φ22	165	310
	4"	100	305	254	200.2	157	32	8-Φ22	190	330
	5"	125	381	279	235	185.7	35	8-Φ22	240	600
	6"	150	403	318	270	216	37	12-Φ22	270	800
	8"	200	502	381	330	270	42	12-Φ25	315	1000
	10"	250	568	445	387.5	324	48	16-Φ29	380	1200

600 LBS class:

Pressure class	Sizes (mm)		Dimensions (mm)							
	inch	DN	L	D	D1	D2	b	Z-Φd	H	W
Q41F/H/Y-600Lb Q341F/H/Y-600Lb Q641F/H/Y-600Lb	1/2"	15	165	95	66.5	35	15	4-Φ15	88	115
	3/4"	20	190	118	82.5	43	16	4-Φ19	98	130
	1"	25	216	124	89	51	18	4-Φ19	105	150
	1 1/2"	40	241	156	114.3	73.2	23	4-Φ22	135	180
	2"	50	292	165	127	92	26	8-Φ19	155	240
	3"	80	356	210	168.2	127	32	8-Φ22	175	280
	4"	100	432	273	216	157	38	8-Φ25	210	330
	6"	150	559	356	292	216	48	12-Φ29	340	800
	8"	200	660	419	349	270	56	12-Φ32	400	1000
	10"	250	787	508	432	324	64	16-Φ35	440	1200

● Trunnion Mounted Ball Valve

Model No.: Q (3/6/9)47F/H/Y

Nominal Diameter: 1/2-48"

Nominal Pressure: 150-2500LB

Basic Standard:

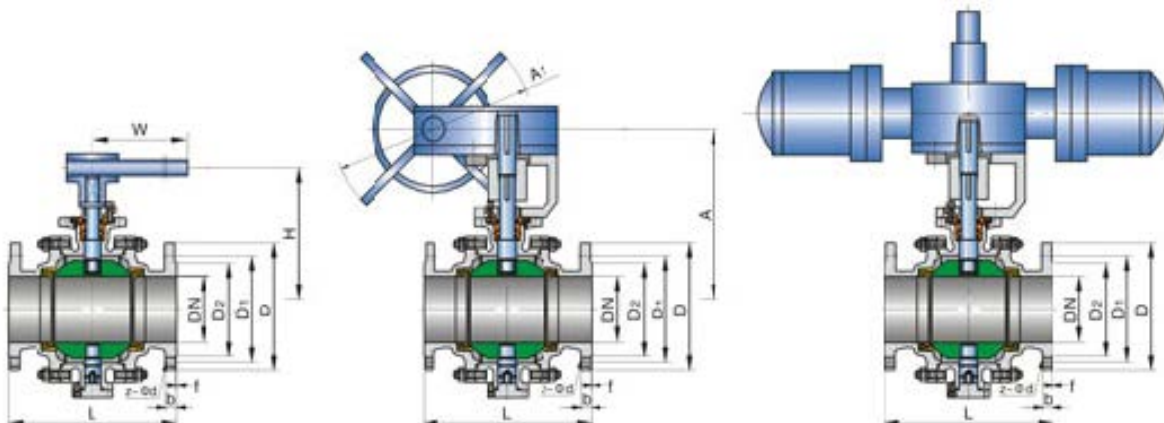
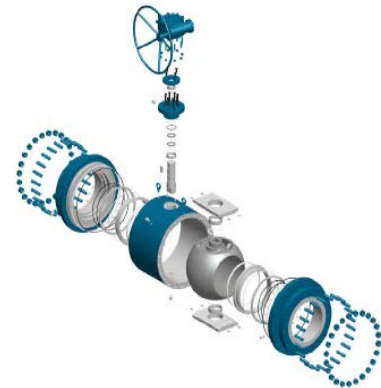
1. Design standard: API 6D; ANSI B16.34, JIS 2071;
2. Fire resistant standard: API 607, API 6FA;
3. Face to face standard: ANSI B16.10; JIS B2002;
4. Connected flange standard: ANSI B16.5 MSS-SP44; JIS B2212
5. Test standard: API STD.598; JIS B2003

Material List of main parts:

Parts name	Material								
	A216WCB	A352 LCB	A217 WC6	A217 WC9	A217 C5	A351 CF8	A351 CF8M	A351 CF3	A351 CF3M
Body/Bonnet	A216WCB	A352 LCB	A217 WC6	A217 WC9	A217 C5	A351 CF8	A351 CF8M	A351 CF3	A351 CF3M
Ball	A182 F6	A182 F304					A182 F316	A182 F304L	A182 F316L
Stem	A182 F6	A182 F304					A182 F316	A182 F304L	A182 F316L
Hand wheel	KTH350-10								
Stud	A193-B7 A320-L7 A193-B8								
Nut	A194-2H A194-7 A194-8								

Construction:

1. Split body, full bore or Reduced bore;
2. Fire resistant, anti-static;
3. Double stock and bleed is available;
4. Valve stem and seat surface are sprayed sealing glue;
5. Inner pressure is self drainage;
6. Stem blow-out resistant;
7. Double piston type is available on requested.
8. Optional Materials: Cast steel
Forged steel.



Dimensions & Reference Weight

Cast Steel Type



150 LB

DN	NPS	2"	3"	4"	6"	8"	10"	12"	14"	16"	18"	20"
	DN	50	80	100	150	200	250	300	350	400	450	500
d1		51	76	102	152	203	254	305	337	387	438	489
L	RF	178	203	229	394	457	533	610	686	762	864	914
	BW	216	283	305	457	521	559	635	762	838	914	991
H1		100	110	130	175	210	274	305	340	395	440	470
H		165	90	200	270	300	380	420	450	530	560	605
W		400	700	850	600	600	600	800	800	800	800	800
E		-	-	-	116	116	116	171	171	257	257	257
F		-	-	-	350	350	350	420	420	500	500	500
Wt (Kg)												

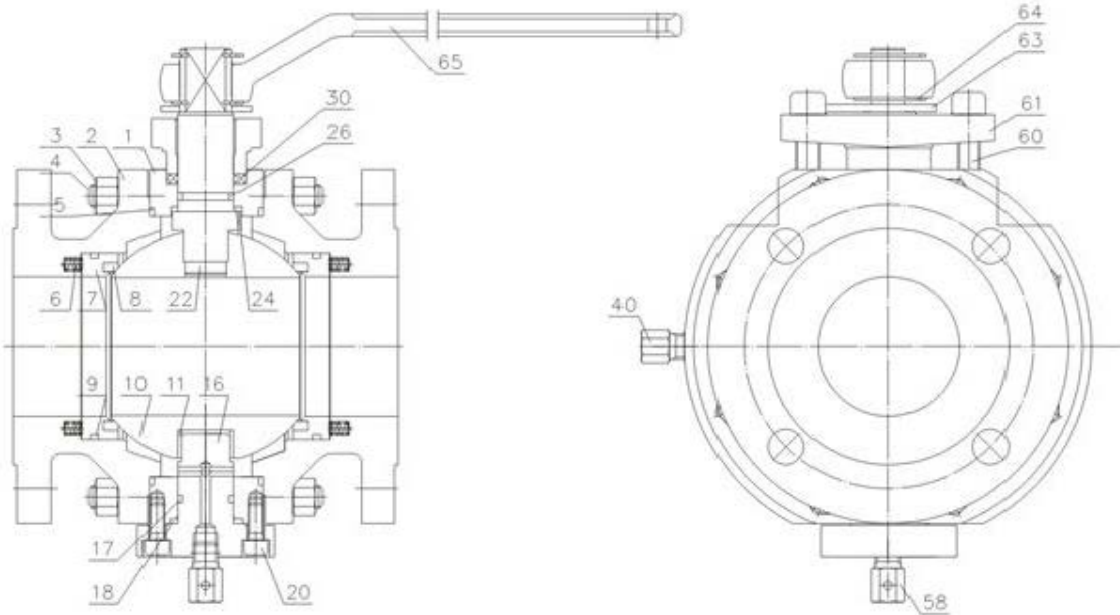
300 LB

DN	NPS	2"	3"	4"	6"	8"	10"	12"	14"	16"	18"	20"
	DN	50	80	100	150	200	250	300	350	400	450	500
d1		51	76	102	152	203	254	305	337	387	438	489
L	RF	216	283	305	403	502	568	648	762	838	914	991
	BW	216	283	305	457	521	559	635	762	838	914	991
H1		100	110	130	175	210	274	305	340	395	440	470
H		165	90	200	270	300	380	420	450	530	560	605
W		400	700	850	600	600	600	800	800	800	800	800
E		-	-	-	116	116	116	171	171	257	257	257
F		-	-	-	350	350	350	420	420	500	500	500
Wt (Kg)												

600 LB

DN	NPS	2"	3"	4"	6"	8"	10"	12"	14"	16"	18"	20"
	DN	50	80	100	150	200	250	300	350	400	450	500
d1		51	76	102	152	203	254	305	337	387	438	489
L	RF	292	359	432	559	660	787	838	889	991	1092	1194
	BW	295	356	435	562	664	791	841	892	994	1095	1200
H1		110	120	140	185	220	270	310	345	410	440	480
H		180	200	210	290	320	380	430	450	550	580	630
W		400	850	1000	600	600	800	800	800	800	800	800
E		-	-	-	116	115	171	171	171	150	83	123
F		-	-	-	350	350	500	420	420	580	650	735

Forged Steel Type



Materials List of Parts:

No	Parts Name	Materials			No	Parts Name	Materials		
		CS	Low Temp. Steel	SS			CS	Low Temp. Steel	SS
1	Mid body	ASTM A105	ASTM A350-LF2/LF3	ASTM A182-304/316	17	O-ring	NBR	VITON	VITON
2	L & R body	ASTM A105	ASTM A350-LF2/LF3	ASTM A182-304/316	18	Gasket	304+Graphite	304+ Graphite	304+ Graphite
3	Nut	ASTM A194-2H	ASTM A194-4	ASTM A194-8M/8	20	Screw	ASTM A193-B7	ASTM A320-L7	ASTM A193-B8M/B8
4	Double-screw bolt	ASTM A193-B7	ASTM A320-L7	ASTM A193-B8M/B8	22	Stem	ASTM A105+ENP	ASTM A182-F304	ASTM A182-304/316
5	O-ring	NBR	VITON	VITON	24	Thrust bearing	304+PTFE	304+PTFE	304+PTFE
6	Spring	60Si2Mn	INCCNELX-750	INCCNELX-750	26	O-ring	NBR	VITON	VITON
7	Seat Retainer	ASTM A105+ENP	ASTM A350-LF2/LF3+ENP	ASTM A182-304/316	30	Packing	Graphite	Graphite	Graphite
8	Seal ring	RPTFE	RPTFE	RPTFE	58	blow-down valve	Carbon steel	Carbon steel	Carbon steel
9	O-ring	NBR	VITON	VITON	60	Screw	ASTM A193-B7	ASTM A320-L7	ASTM A193-B8M/B8
10	Ball	ASTM A105+ENP	ASTM A182-F304	ASTM A182-304/316	61	Packing gland	Carbon steel	Carbon steel	Carbon steel
11	Sliding bearing	304+PTFE	304+PTFE	304+PTFE	63	Locate block	Carbon steel	Carbon steel	Carbon steel
16	Lower stem	ASTM A105+ENP	ASTM A182-F304	ASTM A182-304/316	64	Clip ring	Carbon steel	Carbon steel	Carbon steel

Testing specifications:

Items		Shell Test		Seal Test		Back Seal Test		Air Seal Test	
Medium		Water						Air	
Unit		MPa	Lbf/in2	MPa	Lbf/in2	MPa	Lbf/in2	MPa	Lbf/in2
Pressure Grade	150LB	3.1	450	2.2	315	2.2	315	0.5-0.7	60-100
	300 LB	7.8	1125	5.6	815	5.6	815		
	400 LB	10.3	1500	7.6	1100	7.6	1100		
	600 LB	15.3	2225	11.2	1630	11.2	1630		
	900 LB	23.1	3350	16.8	2440	16.8	2440		

Dimensions & Reference Weight

150 LB

DN	NPS	2"	3"	4"	6"	8"	10"	12"	14"	16"	18"	20"
	DN	50	80	100	150	200	250	300	350	400	450	500
d1		51	76	102	152	203	254	305	337	387	438	489
L	RF	178	203	229	394	457	533	610	686	762	864	914
	BW	216	283	305	457	521	559	635	762	838	914	991
H1		100	110	130	175	210	274	305	340	395	440	470
H		165	90	200	270	300	380	420	450	530	560	605
W		400	700	850	600	600	600	800	800	800	800	800
E		-	-	-	116	116	116	171	171	257	257	257
F		-	-	-	350	350	350	420	420	500	500	500
Wt (Kg)												

300 LB

DN	NPS	2"	3"	4"	6"	8"	10"	12"	14"	16"	18"	20"
	DN	50	80	100	150	200	250	300	350	400	450	500
d1		51	76	102	152	203	254	305	337	387	438	489
L	RF	216	283	305	403	502	568	648	762	838	914	991
	BW	216	283	305	457	521	559	635	762	838	914	991
H1		100	110	130	175	210	274	305	340	395	440	470
H		165	90	200	270	300	380	420	450	530	560	605
W		400	700	850	600	600	600	800	800	800	800	800
E		-	-	-	116	116	116	171	171	257	257	257
F		-	-	-	350	350	350	420	420	500	500	500
Wt (Kg)												

600 LB

DN	NPS	2"	3"	4"	6"	8"	10"	12"	14"	16"	18"	20"
	DN	50	80	100	150	200	250	300	350	400	450	500
d1		51	76	102	152	203	254	305	337	387	438	489
L	RF	292	359	432	559	660	787	838	889	991	1092	1194
	BW	295	356	435	562	664	791	841	892	994	1095	1200
H1		110	120	140	185	220	270	310	345	410	440	480
H		180	200	210	290	320	380	430	450	550	580	630
W		400	850	1000	600	600	800	800	800	800	800	800
E		-	-	-	116	115	171	171	171	150	83	123
F		-	-	-	350	350	500	420	420	580	650	735

900 LB

DN	NPS	2"	3"	4"	6"	8"	10"	12"	14"	16"	18"	20"
	DN	50	80	100	150	200	250	300	350	400	450	500
d1		51	76	102	152	203	254	305	324	375	425	473
L	RF & BW	368	381	457	610	737	838	965	1029	1130	1219	1334
	RTJ	371	384	460	613	740	841	968	1038	1140	1219	1334
H1		135	158	190	200	250	285	350	400	480	530	580
H		190	200	230	300	375	420	460	530	600	640	700
W		600	600	600	600	800	800	800	800	800	800	800
E		116	116	116	171	171	83	83	123	123	180	180
F		350	350	350	420	420	650	650	735	735	735	735
Wt (Kg)												

1500 LB

DN	NPS	2"	3"	4"	6"	8"	10"	12"	14"	16"	20"
	DN	50	80	100	150	200	250	300	350	400	500
d1		51	76	102	146	194	241	289	318	362	440
L	RF & BW	368	470	546	705	832	991	1130	1257	1384	1664
	RTJ	371	473	549	711	841	1000	1146	1276	1407	1686
H1		140	160	200	210	260	300	365	420	500	600
H		200	220	250	320	400	450	490	560	640	790
W		600	600	600	600	800	800	800	800	800	800
E		116	116	171	171	83	83	123	123	180	220
F		350	350	420	420	650	650	735	735	735	735
Wt (Kg)											

2500 LB

阀门尺寸 VALVE SIZE	2"	3"	4"	6"	8"	10"	12"
B	42	62	87	131	179	223	265
L	451	578	673	914	1022	1270	1422
H	205	210	270	340	400	440	470
W	320	440	500	560	630	710	800
重量 WEIGHT(kg)	90	190	380	770	1350	2100	3210

Others sizes are available on request.

● Fully Welded Ball Valve

Model No: Q(3)67F/H/Y

Basic Standards:

1. Design standard: API 6D;
2. Face to face: API 6D, ASME B16.10;
3. Pres./Temp. grade: ASME B16.34, BS 5351;
4. body wall thickness: ASME B16.34, BS 5351;
5. hole sizes: API6D, BS5351;
6. Test standard: API 6D, BS5146

Product introduction

It can be lever and worm gear operated, valve body is made of a seamless steel pipe or forged steel, and the whole structure is made of full welding manufacturing process.

Nominal diameter is from 2 " through 40", and its nominal pressure is 150-1500LB.

The valve can be customized, such as DN, PN, body material, valve internals, and seal face material are customizable.

Float ball structure with elastic washer to ensure the sealing ring is pressed on the sphere, even in the case of unstable pressure, the valve can ensure tight.

Valve seat consists of carbon fabric and reinforced butterfly-shape spring, so it can fit the changes of pressure and temperature without any leakage; Valve ball is precisely processed, and body material with the same material as the pipe, so it surely has no stress uneven, and will not be deformation due to the earthquake and the vehicle passing through the ground; Seal ring is made of RPTFE, assuring of zero leakage.

The valve can be buried underground with a small valve well under the ground; it can greatly save construction cost and working time; Valve body length and stem height can be changed according to design and construction demand;

Precise processing steel ball is easy to operate, it has a smaller, nice, and reliable valve body, so it is easy to install and no need to maintenance and its working life can reach up to 15 years as long as the valve is normally operated and used.

Applications:

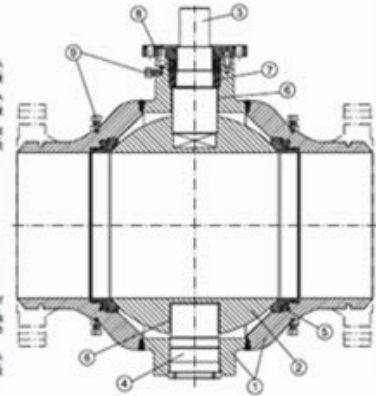
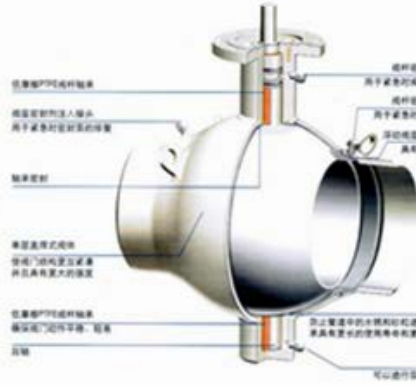
Integrated Full Welded Ball Valve is widely used in varieties of fields, its good quality, high performance, and stability is not reachable for other kinds of general ball valves. Its working life is much longer than cast steel ball valve, now it is widely used in the industries of City heating supply, City gas, Petrochemical, Ship-building, Steel, Gas station, Power plant, etc.

It can be buried underground so as to reduce construction cost, moreover, it can work long time without any harm caused to human being.

Material List of main parts:

No.	Parts Name	materials				
1	Body/Bonnet	A216-WCB	A315-CF8	A35-CF3	A351-CF8M	A351-CF3M
2	Ball	A216-WCB+ENP	A182-F304	A182-F304L	A132-F316	A182-F316L
3	Stem	A182-F6a	A182-F304	A182-F304L	A182-F316	A182-F316L
4	Seat	PTFE, Sintered Carbon Fiber, Metal +Rubber				
5	Spring	INCONELX-750				
6	O-ring	VITON				

Note: The materials of main parts and sealing face are changeable according to working condition or customer demand. Flange sizes can be customized according to customer demand.



Outline dimensions:

Pressure Grade	NP inch	Diameter of ball hole	Sizes (mm)				Weight (Kg)
			L	H1	H2	W	
150Lb	2"	2"	216	165	100	400	
	3"	2"	283	90	110	700	
	4"	4"	305	200	130	850	
	6"	5"	457	270	175	600	
	8"	8"	521	300	210	600	
	10"	10"	559	380	274	600	
	12"	12"	635	420	305	800	
	14"	13.25	762	450	340	800	
	16"	15.25	838	530	395	800	
	18"	17.25	914	560	440	800	
	20"	19.25	991	605	470	800	
	24"	23.25	1143	680	580	800	
28"	27.00	1346	760	640	800		
32"	30.75	1524	870	730	800		
300Lb	2"	2"	216	165	100	400	
	3"	2"	283	90	110	700	
	4"	4"	305	200	130	850	
	6"	5"	457	270	175	600	
	8"	8"	521	300	210	600	
	10"	10"	559	380	274	600	
	12"	12"	635	420	305	800	
	14"	13.25"	762	450	340	800	
	16"	15.25"	838	530	395	800	
	18"	17.25"	914	560	440	800	
	20"	19.25"	991	605	470	800	
	24"	23.25"	1143	680	580	800	
	28"	27.00"	1346	760	640	800	
	32"	30.75"	1524	870	730	800	
	36"	34.50"	1727	980	810	800	
	40"	38.50"	1956	1040	910	800	

Please contact us for more details.

PCS TYPE BALL VALVE

Model No: Q11F

Nominal Diameter: 1/2"~4", DN15~DN 100;

Nominal Pressure: 1.6~6.4MPa;

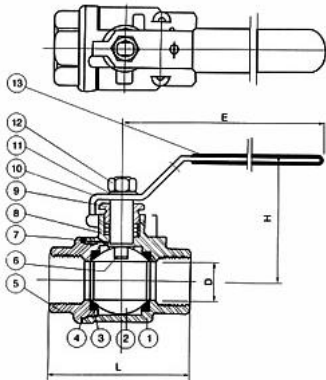
Applicable medium: water, oil, steam and some other corrosive liquid;

Thread standard: NPT, BSPT, BSP, and DIN259/2999

Basis Standards:

1. Design standard: ASME B16.34, API 608;
2. Face to face: GB/T 12221-2005;
3. Thread standard: ASME B1.20, BS21, DIN29999/259, BSP, ISO7/1, ISO228/1, JISB02;
4. Temperature & Pressure: GB/T 12224-2005;
5. Test standard: API 598, GB/T 13927-2008

● 2 PCS Type Female Threaded Ball Valve



Material list of main parts:

No.	Parts Name	Materials	
		Stainless Steel	Carbon Steel
1	Body	CF8M	WCB
2	Ball	SS316	SS304
3	Seal Ring	PTFE	PTFE
4	Seal Gasket	PTFE	PTFE
5	bonnet	CF8M	WCB
6	Stem	SS316	SS304
7	Thrust Washer	PTFE	PTFE
8	Packing	PTFE	PTFE
9	Gland Nut	SS304	SS304
10	Handle	SS304	SS304
11	Washer	SS304	SS304
12	Stem Nut	SS304	SS304
13	Handle Sleeve	Plastic	Plastic

Testing specifications:

DN	DN (mm)	6~100 mm		
PN	PN (MPa)	2.5	4	6.4
Test Pressure	Shell Test	3.8	6	9.6
	Back Seat Test	3	4.8	7.6
	Air Seal Test	0.6	0.6	0.6
Applicable Medium	water, oil, steam and some other corrosive liquid			
Suitable temperature	< 150°C (PTFE) , < 300°C (PLL)			

Remarks: 1. **Butt Weld type** and **Socket Weld type** are available on requested;

2. All the 2 PCS type ball valve can be equipped with ISO 5211 high mount **platform** and **locking device**.

Outline Dimensions: mm

SIZE	1/4"	3/8"	1/2"	3/4"	1"	1 1/4"	1 1/2"	2"	2 1/2"	3"	4"
D	11.6	12.7	15	20	25	32	38	50	65	80	100
L	55	55	65	75	88	102	110	125	162	189	260
H	50	50	60	64	71	78	86	95	130	148	180
E	100	100	130	130	165	165	190	190	250	250	280
(KG)	0.2	0.2	0.35	0.5	0.75	1.3	2.0	3.3	4.5	6.1	9.9

● 3 PCS Ball Valve

Structure features:

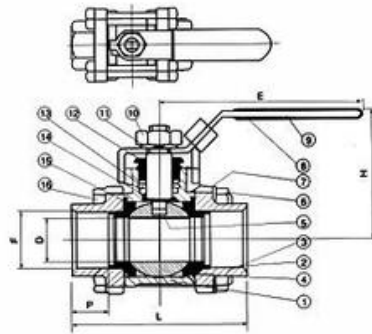
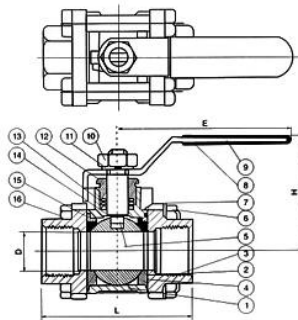
1. Seat with elastic sealing structure, reliable sealing, easy to open and close;
2. The valve stem seal with lower entry type seal inverted structure, the stem will not be blow out when valve chamber has abnormal high pressure;
4. ISO 5211 standard supporting platform and locking device are available on requested;
5. 90 degree switch positioning mechanism can be set, and additional lock may need to prevent mis-operation;
6. Drive modes: manual, electric, pneumatic.

Testing specifications:

DN	DN (mm)	6~100 mm		
PN	PN (MPa)	2.5	4	6.4
Test Pressure	Shell Test	3.8	6	9.6
	Back Seat Test	3	4.8	7.6
	Air Seal Test	0.6	0.6	0.6
Applicable Medium	water, oil, steam and some other corrosive liquid			
Suitable temperature	< 150°C (PTFE) , < 300°C (PLL)			

Material list of main parts:

No.	Parts Name	Materials	
		SS	CS
1	body	CF8M	WCB
2	Seal Ring	PTFE	PTFE
3	Bonnet	CF8M	WCB
4	Ball	SS316	SS304
5	Stem	SS316	SS316
6	Nut	SS304	FCD45
7	Washer	SS304	FCD45
8	Handle Sleeve	Plastic	Plastic
9	Handle	SS304	SS304
10	Stem Nut	SS304	B7
11	Washer	SS304	SS304
12	Gland Nut	SS304	FCD45
13	Packing	PTFE	PTFE
14	Thrust Nut	PTFE	PTFE
15	Packing	PTFE	PTFE
16	Bolt	SS304	B8



SOCKET WELD

Outline Dimensions & Weight: FEMALE THREAD

SIZE	1/4"	3/8"	1/2"	3/4"	1"	1-1/4"	1-1/2"	2"	2-1/2"	3"	4"
D	11.6	12.7	15	20	25	32	38	50	65	80	100
L	68	68	72	82	90	112	120	145	185	210	268
H	100	100	130	130	165	165	190	190	250	250	280
E	100	100	130	130	165	165	190	190	250	250	280
WT(g)	225	225	390	502	850	1502	2020	3625	4700	7700	14850

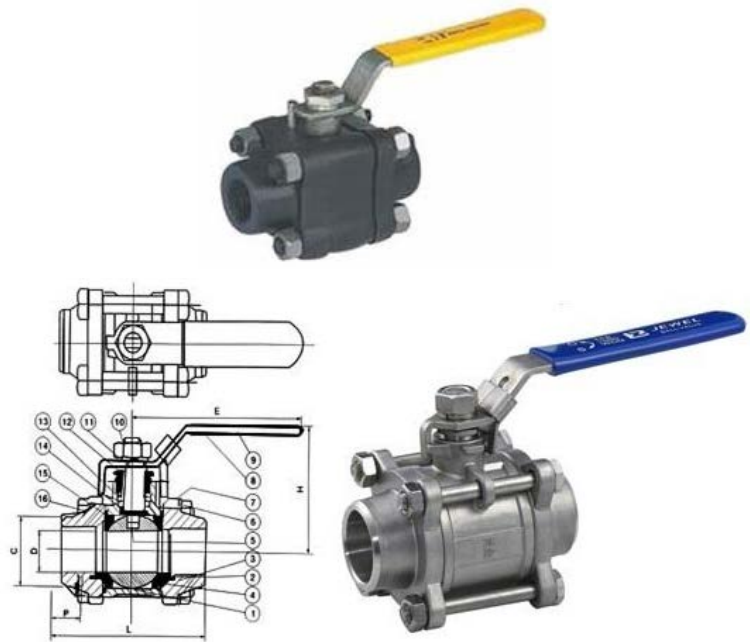
Outline Dimensions & Weight: SOCKET WELD

Size	1/4"	3/8"	1/2"	3/4"	1"	1-1/4"	1-1/2"	2"	2-1/2"	3"	4"
D	11.6	12.7	15	20	25	32	38	50	65	80	100
L	68	68	72	85	90	112	120	145	185	215	270
H	50	50	60	64	71	78	86	95	130	148	173
E	100	100	130	130	165	165	190	190	250	250	280
C	14	17.5	22.7	27.5	33.5	42	48.6	60.5	76.3	90	106.5
WT(g)	400	405	640	890	1160	2195	2940	4865	7000	10700	19350

3 PCS BUTT WELD TYPE BALL VALVE

Material list of Main Parts:

No.	Parts name	Material	
		S. Steel	C. Steel
1	Body	CF8M	WCB
2	Seal ring	PTFE	PTFE
3	Bonnet	CF8M	WCB
4	Ball	SS316	SS304
5	Stem	SS316	SS316
6	Nut	SS304	FCD45
7	Gasket	SS304	FCD45
8	Handle Sleeve	Plastic	Plastic
9	Handle	SS304	SS304
10	Stem Nut	SS304	B7
11	Washer	SS304	SS304
12	Gland Nut	SS304	FCD45
13	Packing	PTFE	PTFE
14	Thrust Washer	PTFE	PTFE
15	Packing	PTFE	PTFE
16	Bolt	SS304	B8



Outline Dimensions & Weight:

SIZE	1/4"	3/8"	1/2"	3/4"	1"	1 1/4"	1 1/2"	2"	2 1/2"	3"	4"
D	11.6	12.7	15	20	25	32	38	50	65	80	100
L	68	68	72	85	90	112	120	145	185	215	270
H	50	50	60	64	71	78	86	95	130	248	173
E	100	100	130	130	165	165	190	190	250	250	280
F	14.1	17.6	21.8	27.5	34.7	43.0	49.0	61.5	77.0	90.0	115.2
P	10	10	10	13	13	16	16	18	18	20	20
W.T. (g)	400	405	640	890	1160	2940	2940	4865	7000	107000	19350