

Sleeve Type Soft Sealing Plug Valve

Technical specifications:

Design & manufacturing: API599, API6D;
 Structural length standard: ASME B16.10;
 Flange standard: ASME B16.5;
 Pressure-temperature rating: ASME B16.34;
 Inspection & Test standard: API 598

Nominal pressure class 150~600lbs,

Work temperature: -29~180 degrees

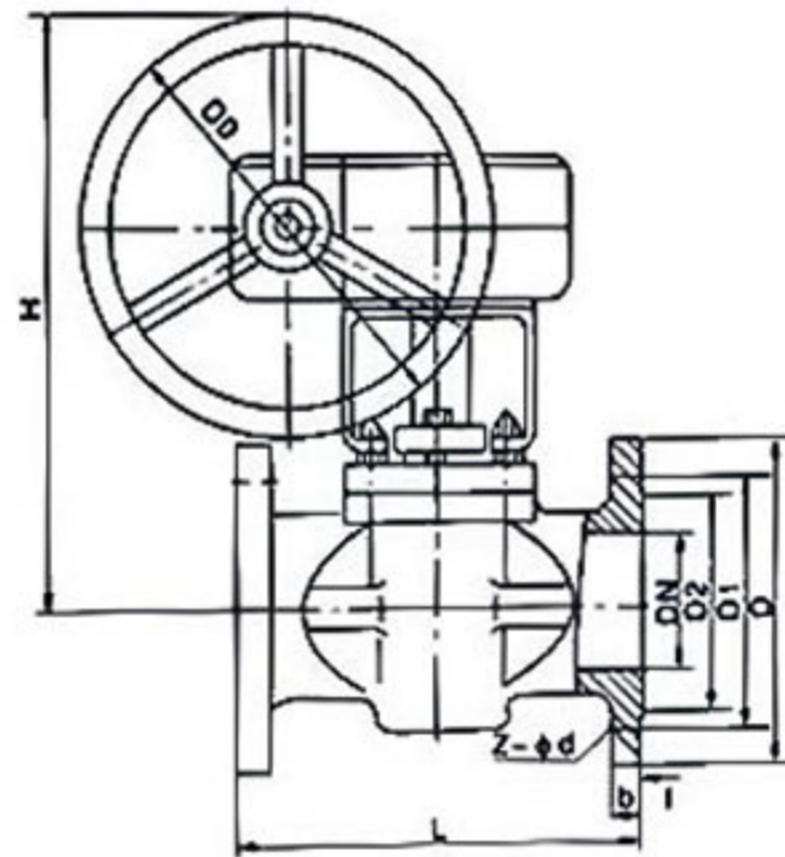
Medium: oil, chemical, pharmaceutical, fertilizer, power industry etc., it is used for cut off or switch on the pipeline medium.

Features:

1. The tightness is achieved through the seal surface around the sleeve, and the unique 360 degree Metal hemming is to protect the fixed sleeve;
2. The valve has no cavity to build up the medium inside;
3. It is suitable for viscous and easy scaling work conditions;
4. Part material and flange size can be determined according to actual working conditions or end user requirements.



4" up gear operated



Performance parameters:

| NPS (LB) | Shell test (MPa) | Seal test (MPa) | Temperature(°C) | Applicable Medium |
|----------|------------------|-----------------|-----------------|---------------------------|
| 150 | 3.0 | 2.2 | ≤180°C | Water, Steam, Oil and Gas |
| 300 | 7.5 | 5.5 | | |
| 600 | 15.0 | 11.0 | | |
| 900 | 22.5 | 16.5 | | |

Part material:

| Class (Lb) | Material | | | | |
|-----------------|------------------------------------|-----------------------------------|-------------------------|--------|--------|
| | Body/Bonnet | Plug | Adjusting washer | Gasket | O-ring |
| 150,300, 600 | Cast steel | WCB, Monel alloy, CF8, CF8M | F6,F316, F304L,F316L | RPTFE | VITON |
| | Stainless steel | | | | |
| | ultralow carbon stainless steel | | | | |

Structure dimensions:

| Class 150 (mm) | | | | | |
|----------------|------|-----|-----|-----|-----------|
| DN | INCH | L | D0 | H | Weight/kg |
| 15 | 1/2 | 108 | 120 | 85 | |
| 20 | 3/4 | 117 | 140 | 95 | |
| 25 | 1 | 127 | 140 | 105 | |
| 32 | 1¼ | 140 | 200 | 115 | |
| 40 | 1½ | 165 | 250 | 125 | |
| 50 | 2 | 178 | 250 | 140 | |
| 65 | 2½ | 190 | 300 | 150 | |
| 80 | 3 | 203 | 300 | 185 | |
| 100 | 4 | 229 | 350 | 200 | |
| 125 | 5 | 254 | 350 | 215 | |
| 150 | 6 | 267 | 200 | 455 | |
| 200 | 8 | 292 | 240 | 495 | |
| 250 | 10 | 330 | 280 | 555 | |
| 300 | 12 | 356 | 320 | 605 | |
| 350 | 14 | 686 | 320 | 680 | |
| 400 | 16 | 762 | 360 | 715 | |

| Class 300 (mm) | | | | | |
|----------------|------|-----|-----|-----|------------|
| DN | INCH | L | D0 | H | Weight /kg |
| 15 | 1/2 | 140 | 160 | 85 | |
| 20 | 3/4 | 152 | 160 | 95 | |
| 25 | 1 | 165 | 200 | 105 | |
| 32 | 1¼ | 178 | 250 | 115 | |
| 40 | 1½ | 190 | 250 | 125 | |
| 50 | 2 | 216 | 300 | 140 | |
| 65 | 2½ | 241 | 300 | 150 | |
| 80 | 3 | 283 | 350 | 185 | |
| 100 | 4 | 305 | 350 | 200 | |
| 125 | 5 | 381 | 400 | 225 | |
| 150 | 6 | 403 | 200 | 460 | |
| 200 | 8 | 419 | 240 | 495 | |

| | | | | | |
|-----|----|-----|-----|-----|--|
| 250 | 10 | 457 | 280 | 560 | |
| 300 | 12 | 502 | 320 | 610 | |
| 350 | 14 | 762 | 360 | 685 | |

| Class 600 (mm) | | | | | |
|-----------------------|-------------|----------|-----------|----------|-------------------|
| DN | INCH | L | D0 | H | Weight /kg |
| 25 | 1 | 216 | 250 | 125 | |
| 32 | 1¼ | 229 | 250 | 135 | |
| 40 | 1½ | 240 | 300 | 140 | |
| 50 | 2 | 292 | 350 | 150 | |
| 65 | 2½ | 330 | 350 | 175 | |
| 80 | 3 | 356 | 400 | 195 | |
| 100 | 4 | 432 | 400 | 215 | |
| 150 | 6 | 559 | 280 | 500 | |